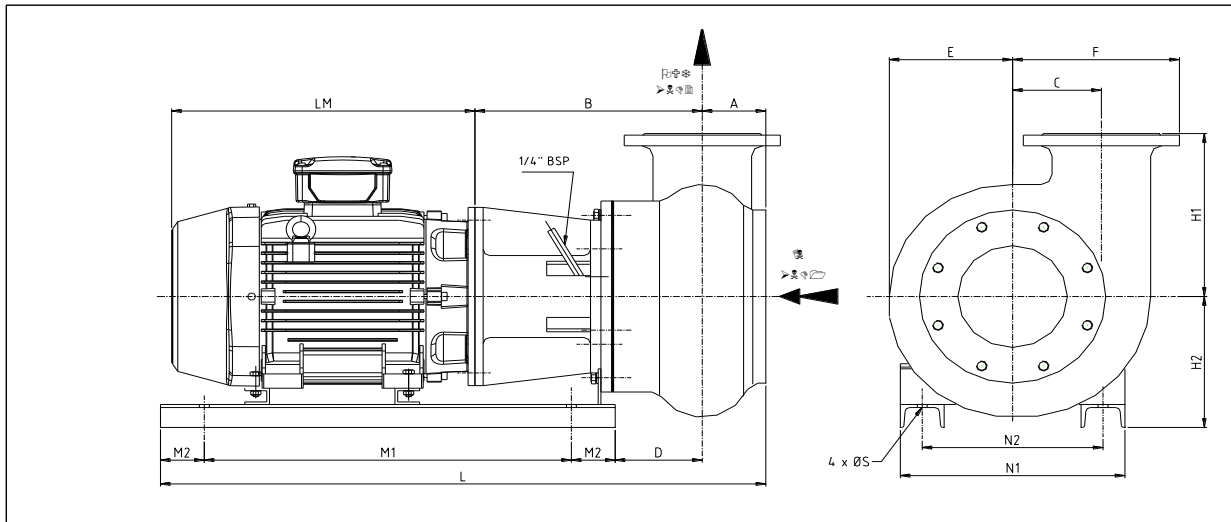




MONOBLOC HORIZONTAL PUMP / POMPE HORIZONTALE MONOBLOC
DIMENSIONAL DATA / FICHE DIMENSIONNELLE SIZE 100HW / 150 HW / 200x150



Type	Code	ND1	ND2	P kW	N rpm	A	B	C	D	E	F	L	LM	P	H1	H2	M1	M2	N1	N2	Weight Poids kg	Frame / Type motor	Drawing Plan
HM100HW	H100M0W0000	ND100 NP10	ND100 NP10	15	1450	106	359	165							240							160L	
				18.5																		180M	
				22																		180L	
HM150HW	H150M0W0000	ND150 NP10	ND150 NP10	15	1450	132	426	165							267							160L	
				18.5																		180M	
				22																		180L	
HM200x150	H200M0M0000	ND200 NP10	ND150 NP10	15	1450	82	415	162							320							160L	
				18.5																		180M	
				22																		180L	
				30																		200I	