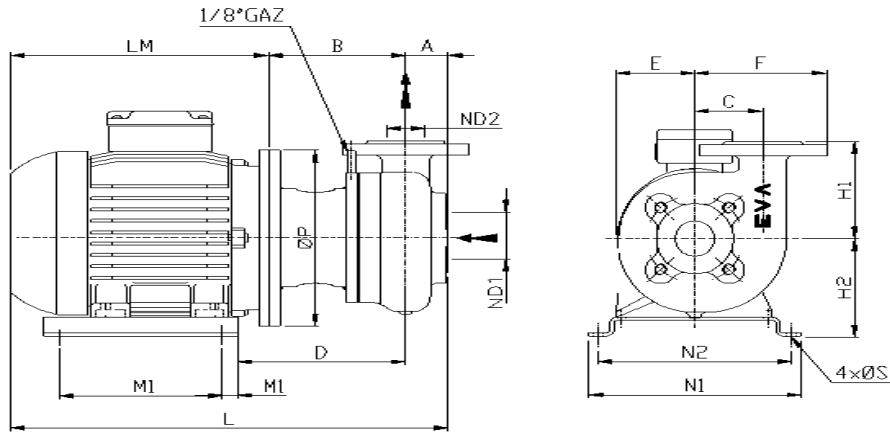


MONOBLOC HORIZONTAL PUMP / POMPE HORIZONTALE MONOBLOC
DIMENSIONAL DATA / FICHE DIMENSIONNELLE



Type	Code	ND1	ND2	P kW	N rpm	A	B	C	D	E	F	L	LM	P	H1	H2	M1	M2	N1	N2	Weight Poids kg	Frame / Type motor	Drawing Plan
HM 65 x 50	H065M0M0000	ND65 NP16	ND50 NP16	1.1	1450	55	178	88	207	100	171	487	254	200	138	140	210	20	250	250	43	90S	PE 12612
				512								279	44								90L		
				2.2								549	316								51	100L	
				3								549	316								54	100L	
				4								566	333								67	112M	
		5.5	566	333	89	132S																	
		1.5	2900	55	178	88	207	100	171	512	279	200	138	140	210	20	250	225	250	43	90S	PE 12612	
		549								316	46									90L			
		2.2								549	316									53	100L		
		3								549	316									53	100L		
4	566	333								64	112M												
5.5	566	333	88	132S																			