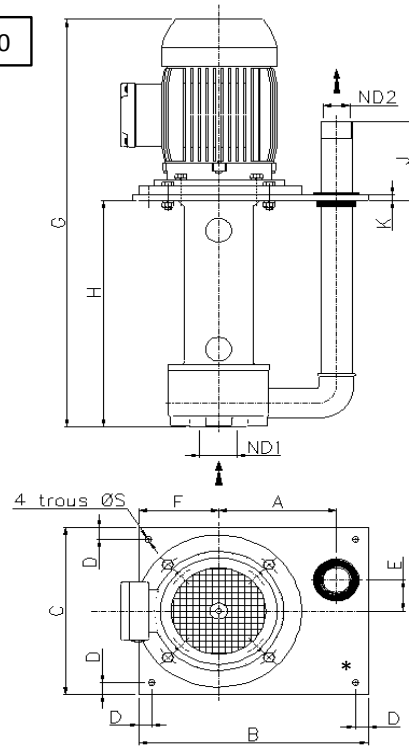


**VM 40**



\* tr

| Type                    | Code        | ND1          | ND2                                  | P<br>kW | N<br>rpm | A   | B                     | C   | D  | E  | F   | G   | H   | J   | K   | S  | Weight<br>Poinds<br>kg | Frame /<br>Type<br>motor | Drawing<br>Plan |          |
|-------------------------|-------------|--------------|--------------------------------------|---------|----------|-----|-----------------------|-----|----|----|-----|-----|-----|-----|-----|----|------------------------|--------------------------|-----------------|----------|
| MO 40<br>SCM<br>HSP 300 | V040M0M0300 | ND40<br>NP16 | 1" 1/2 G<br>(ND40<br>NP16<br>option) | 1.1     | 1500     | 181 | WHITOUT<br>BASE PLATE |     |    |    | 52  | -   | 589 | 300 | 130 | -  | 12                     | 33                       | 90S             | PE 13055 |
|                         |             |              |                                      | 1.5     |          |     |                       |     |    |    |     |     |     |     |     |    |                        | 34                       | 90L             |          |
|                         |             |              |                                      | 1.5     | 35       |     |                       |     |    |    |     |     |     |     |     |    |                        | 90S                      |                 |          |
|                         |             |              |                                      | 2.2     | 37       |     |                       |     |    |    |     |     |     |     |     |    |                        | 90L                      |                 |          |
| MO 40<br>SCM<br>HSP 389 | V040M0M0389 | ND40<br>NP16 | 1" 1/2 G<br>(ND40<br>NP16<br>option) | 1.1     | 1500     | 181 | WHITOUT<br>BASE PLATE |     |    |    | 52  | -   | 678 | 389 | 130 | -  | 12                     | 41                       | 90S             | PE 13445 |
|                         |             |              |                                      | 1.5     |          |     |                       |     |    |    |     |     |     |     |     |    |                        | 42                       | 90L             |          |
|                         |             |              |                                      | 1.5     | 43       |     |                       |     |    |    |     |     |     |     |     |    |                        | 90S                      |                 |          |
|                         |             |              |                                      | 2.2     | 45       |     |                       |     |    |    |     |     |     |     |     |    |                        | 90L                      |                 |          |
| VM 40<br>SCM<br>HSP 250 | V040M0M0250 | ND40<br>NP16 | 1" 1/2 G<br>(ND40<br>NP16<br>option) | 1.1     | 1500     | 181 | 410                   | 280 | 20 | 52 | 141 | 544 | 240 | 130 | 10  | 10 | 35                     | 90S                      | PE 13821        |          |
|                         |             |              |                                      | 1.5     |          |     |                       |     |    |    |     |     |     |     |     |    | 36                     | 90L                      |                 |          |
|                         |             |              |                                      | 1.5     | 37       |     |                       |     |    |    |     |     |     |     |     |    | 90S                    |                          |                 |          |
|                         |             |              |                                      | 2.2     | 39       |     |                       |     |    |    |     |     |     |     |     |    | 90L                    |                          |                 |          |
| VM 40<br>SCM<br>HSP 250 | V040M0M0250 | ND40<br>NP16 | 1" 1/2 G<br>(ND40<br>NP16<br>option) | 1.1     | 1500     | 181 | 500                   | 400 | 20 | 52 | 141 | 544 | 240 | 130 | 10  | 10 | 36                     | 90S                      | PE 13821        |          |
|                         |             |              |                                      | 1.5     |          |     |                       |     |    |    |     |     |     |     |     |    | 37                     | 90L                      |                 |          |
|                         |             |              |                                      | 1.5     | 38       |     |                       |     |    |    |     |     |     |     |     |    | 90S                    |                          |                 |          |
|                         |             |              |                                      | 2.2     | 40       |     |                       |     |    |    |     |     |     |     |     |    | 90L                    |                          |                 |          |
| VM 40<br>SCM<br>HSP 379 | V040M0M0379 | ND40<br>NP16 | 1" 1/2 G<br>(ND40<br>NP16<br>option) | 1.1     | 1500     | 181 | 410                   | 280 | 20 | 52 | 141 | 683 | 379 | 130 | 10  | 10 | 40                     | 90S                      | PE 12508        |          |
|                         |             |              |                                      | 1.5     |          |     |                       |     |    |    |     |     |     |     |     |    | 42                     | 90L                      |                 |          |
|                         |             |              |                                      | 1.5     | 40       |     |                       |     |    |    |     |     |     |     |     |    | 90S                    |                          |                 |          |
|                         |             |              |                                      | 2.2     | 42       |     |                       |     |    |    |     |     |     |     |     |    | 90L                    |                          |                 |          |
| VM 40<br>SCM<br>HSP 379 | V040M0M0379 | ND40<br>NP16 | 1" 1/2 G<br>(ND40<br>NP16<br>option) | 1.1     | 1500     | 181 | 353                   | 280 | 20 | 52 | 123 | 683 | 379 | 455 | 10  | 10 | 41                     | 90S                      | PE 13448        |          |
|                         |             |              |                                      | 1.5     |          |     |                       |     |    |    |     |     |     |     |     |    | 43                     | 90L                      |                 |          |
|                         |             |              |                                      | 1.5     | 41       |     |                       |     |    |    |     |     |     |     |     |    | 90S                    |                          |                 |          |
|                         |             |              |                                      | 2.2     | 43       |     |                       |     |    |    |     |     |     |     |     |    | 90L                    |                          |                 |          |